

IAM SERIES

H4 MODELS

INDEX

55	TECHNICAL DATA
56	DIMENSIONAL DRAWINGS
61	POWER CHARTS
64	SIDE LOAD CHARTS
67	ORDERING INSTRUCTIONS

www.Laheghi.com

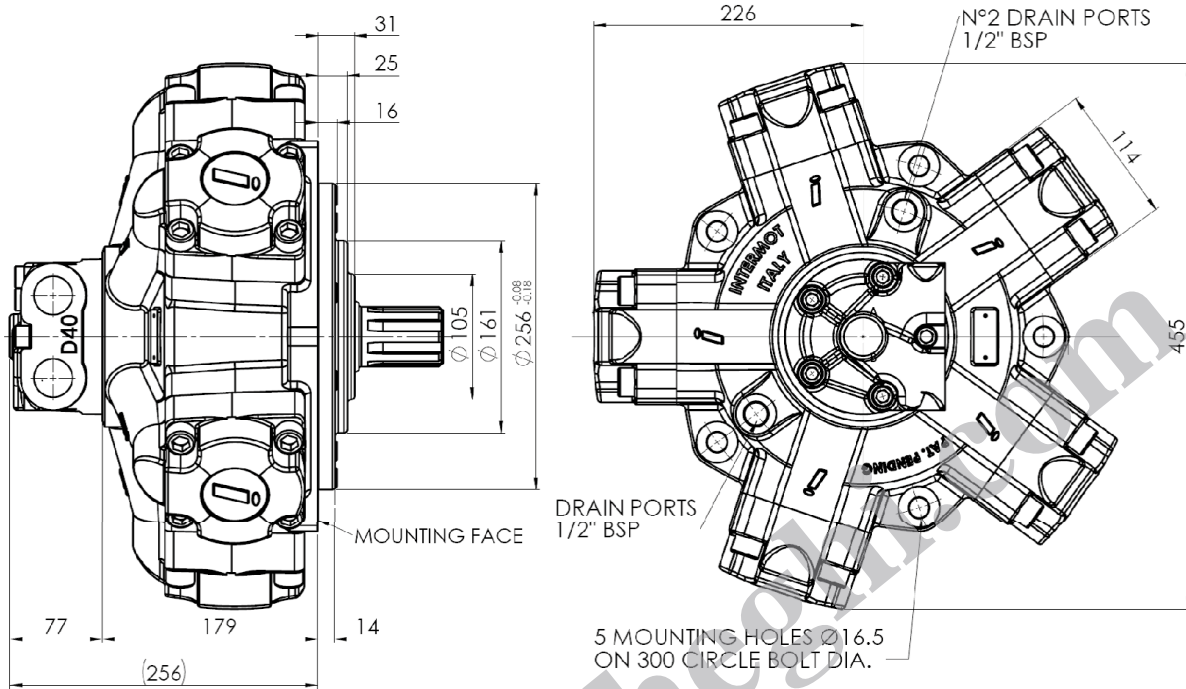
IAM H4 - TECHNICAL DATA

MODEL	N° of pistons	Displacement cc/ rev	Specific Torque Nm/ bar	Pressure			Speed		Max Case Pressure bar	Max Power hp kW	Dry Weight kg	Inertia moment of rotating parts kg cm ²		
				Max Cont. bar	Max Int. bar	Peak bar	Max Continuous rpm	Peak rpm						
IAM H4	700	5	707	11,3	250	300	350	500	580	6	107	80	92	267
	800	5	764	12,2	250	300	350	450	530	6	107	80	92	267
	850	5	847	13,5	250	300	350	450	530	6	107	80	92	267
	900	5	877	14,0	250	300	350	450	530	6	107	80	92	267
	1000	5	966	15,4	250	300	350	330	400	6	107	80	92	267
	1100	5	1093	17,4	250	300	350	330	400	6	107	80	92	267
	1200	5	1193	19,0	250	300	350	300	350	6	107	80	92	267
	1300	5	1333	21,2	250	300	350	250	300	6	107	80	92	267
	1400	5	1406	22,4	250	300	350	230	280	6	107	80	92	267

www.Laheghni.com

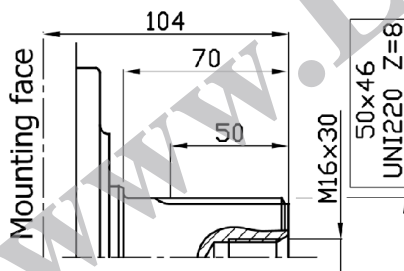
IAM H4 - DIMENSIONAL DRAWINGS

IAM 700 – 800 – 850 – 900 – 1000 – 1100 – 1200 – 1300 – 1400 H4

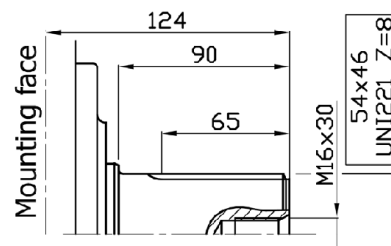


SHAFT OPTIONS

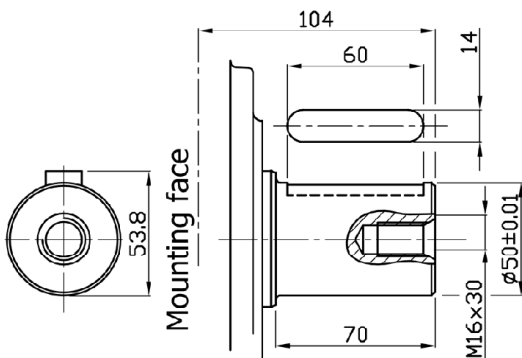
A0: Standard splined shaft



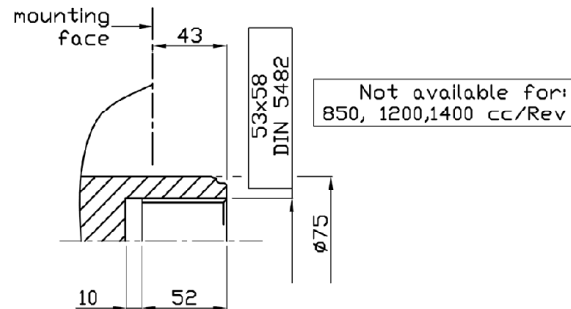
A1: Splined shaft on request



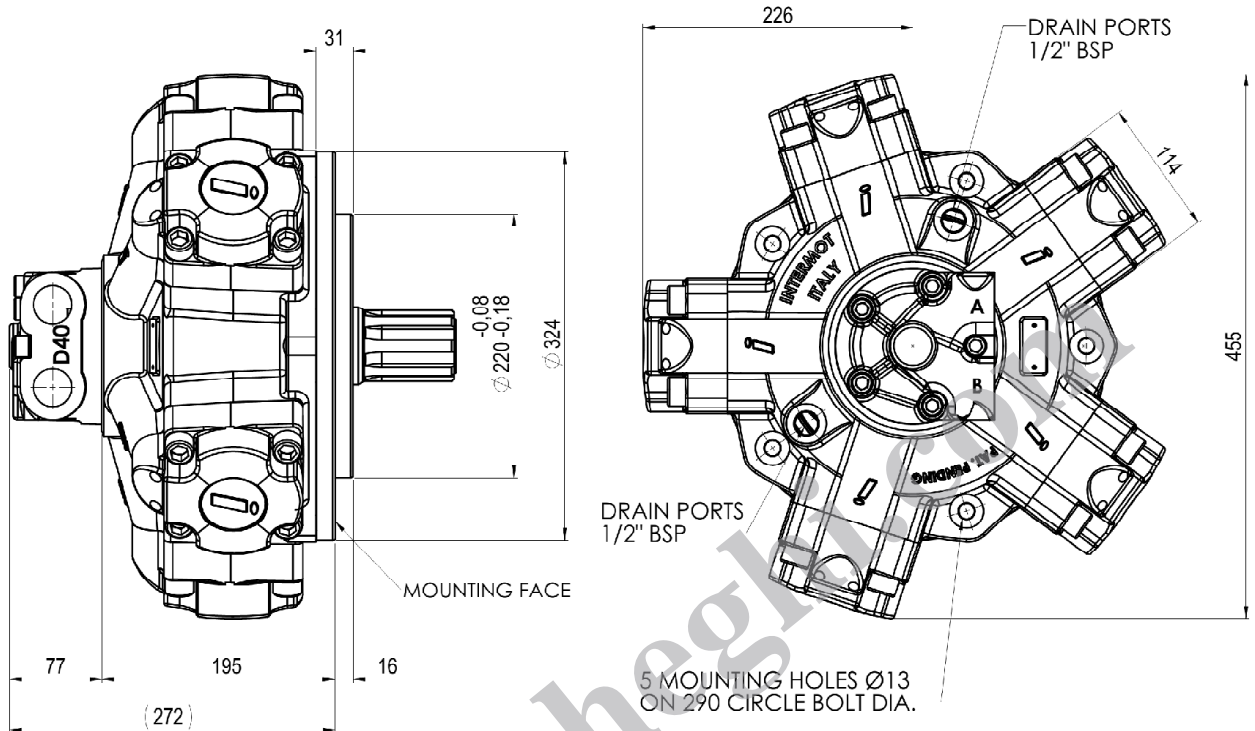
A2: Parallel shaft on request



A3: Female shaft on request



IAM 700/C – 800/C H4

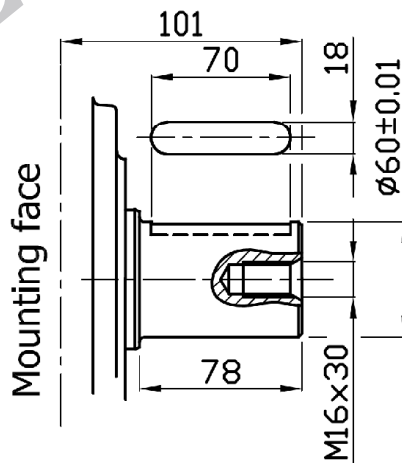
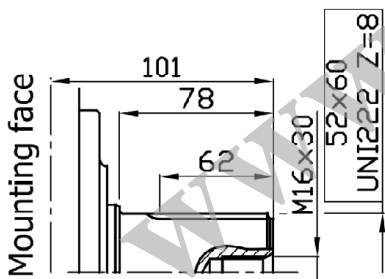


SHAFT OPTIONS

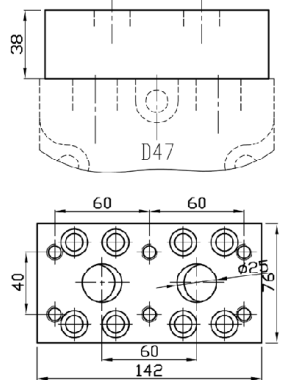
A0: Standard splined shaft

A2: Parallel shaft on request

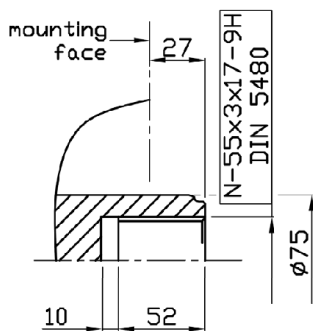
FL2: Connection block



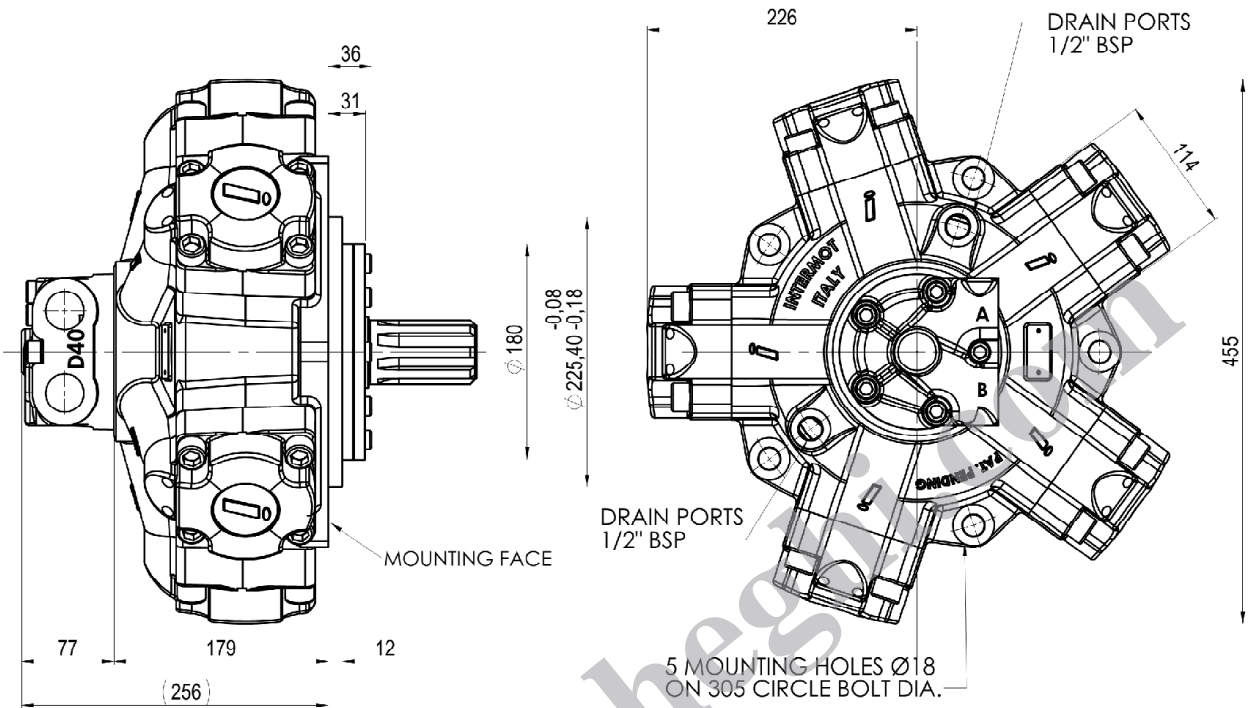
Connection block, fitting D47 distributor, for motor MR 350/450/500/600/700/800



A3: Female shaft on request

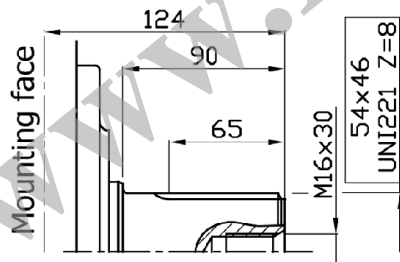


IAM 800/B45 H4

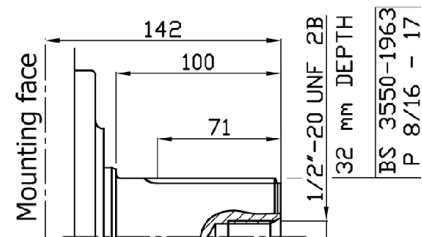


SHAFT OPTIONS

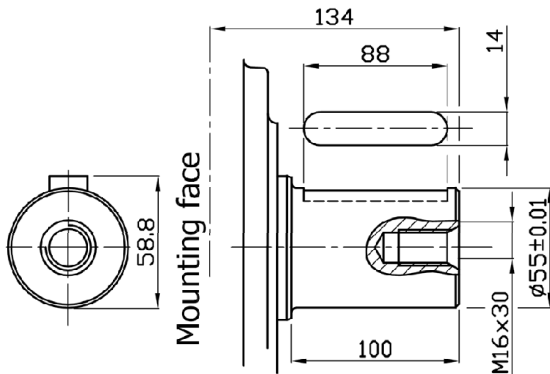
A0: Standard splined shaft



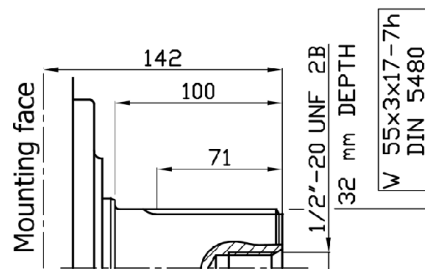
A1: Splined shaft on request



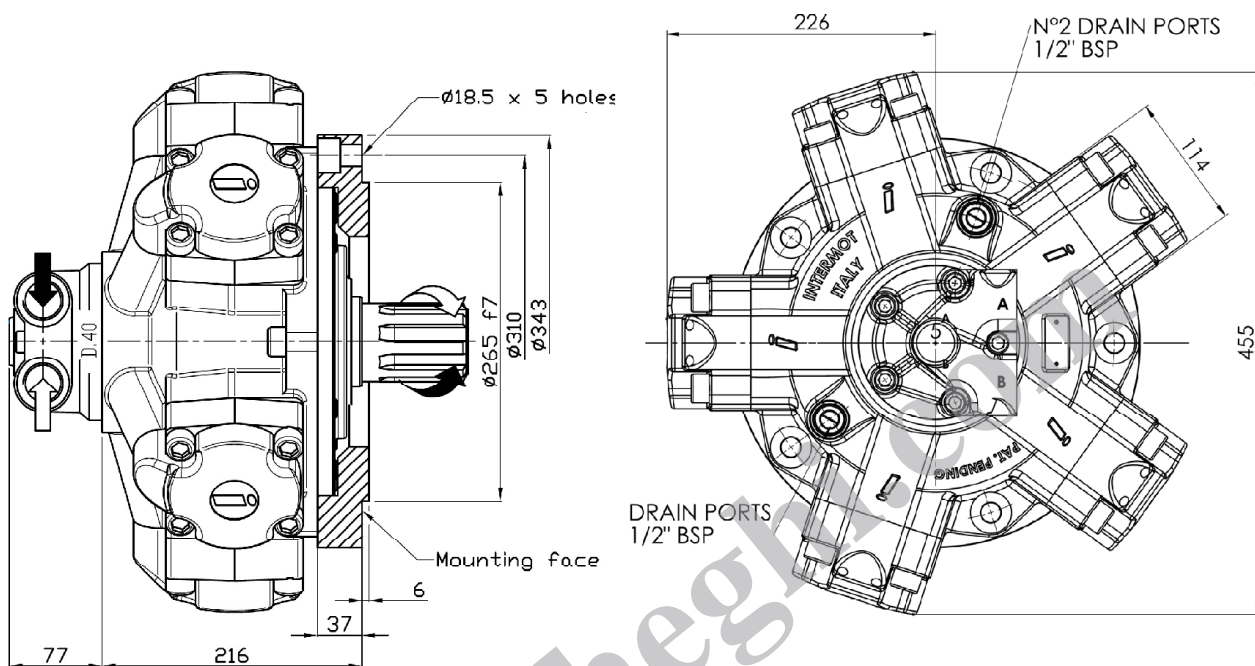
A2: Parallel shaft on request



A4: Splined shaft on request

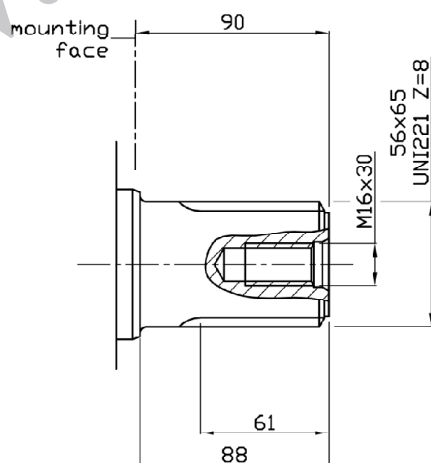


IAM 700/GM4 - 800/GM4 - 900/GM4 - 1000/GM4 - 1100/GM4 – 1250/GM4 H4

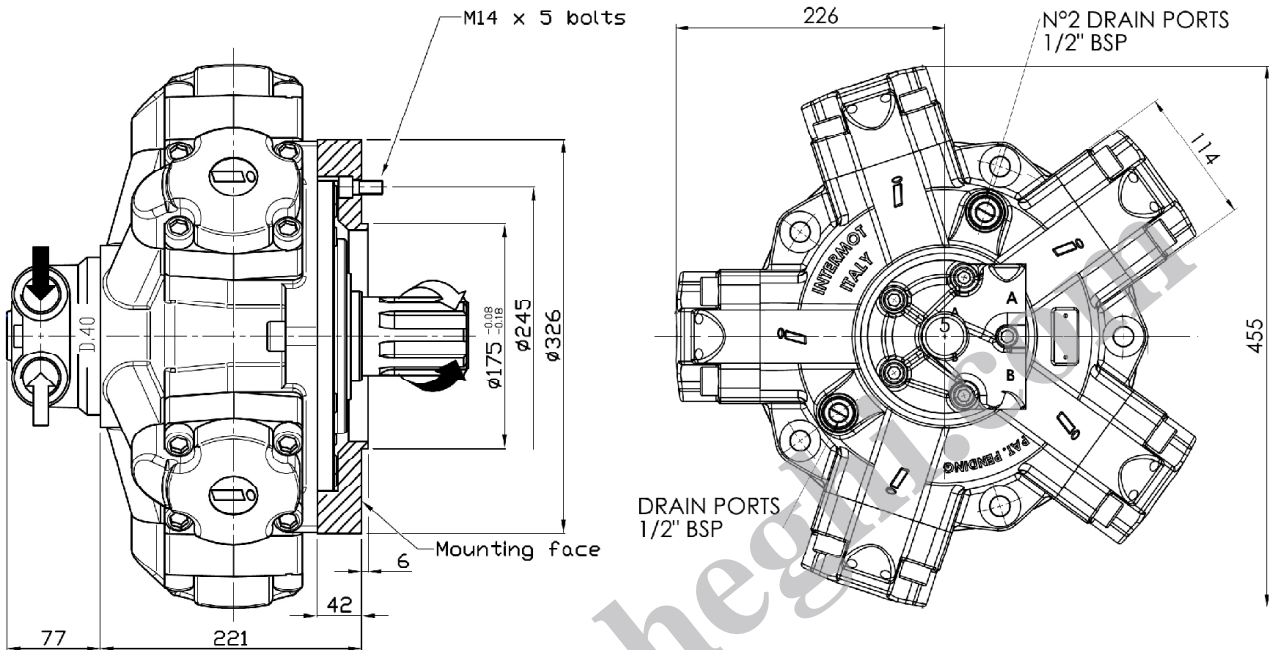


SHAFT OPTIONS

A0: Standard splined shaft



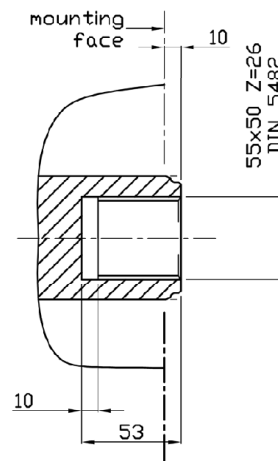
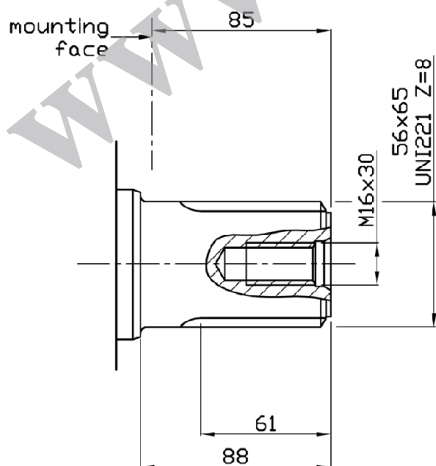
IAM 700/S - 800/S - 900/S - 1000/S - 1100/S - 1250/S H4



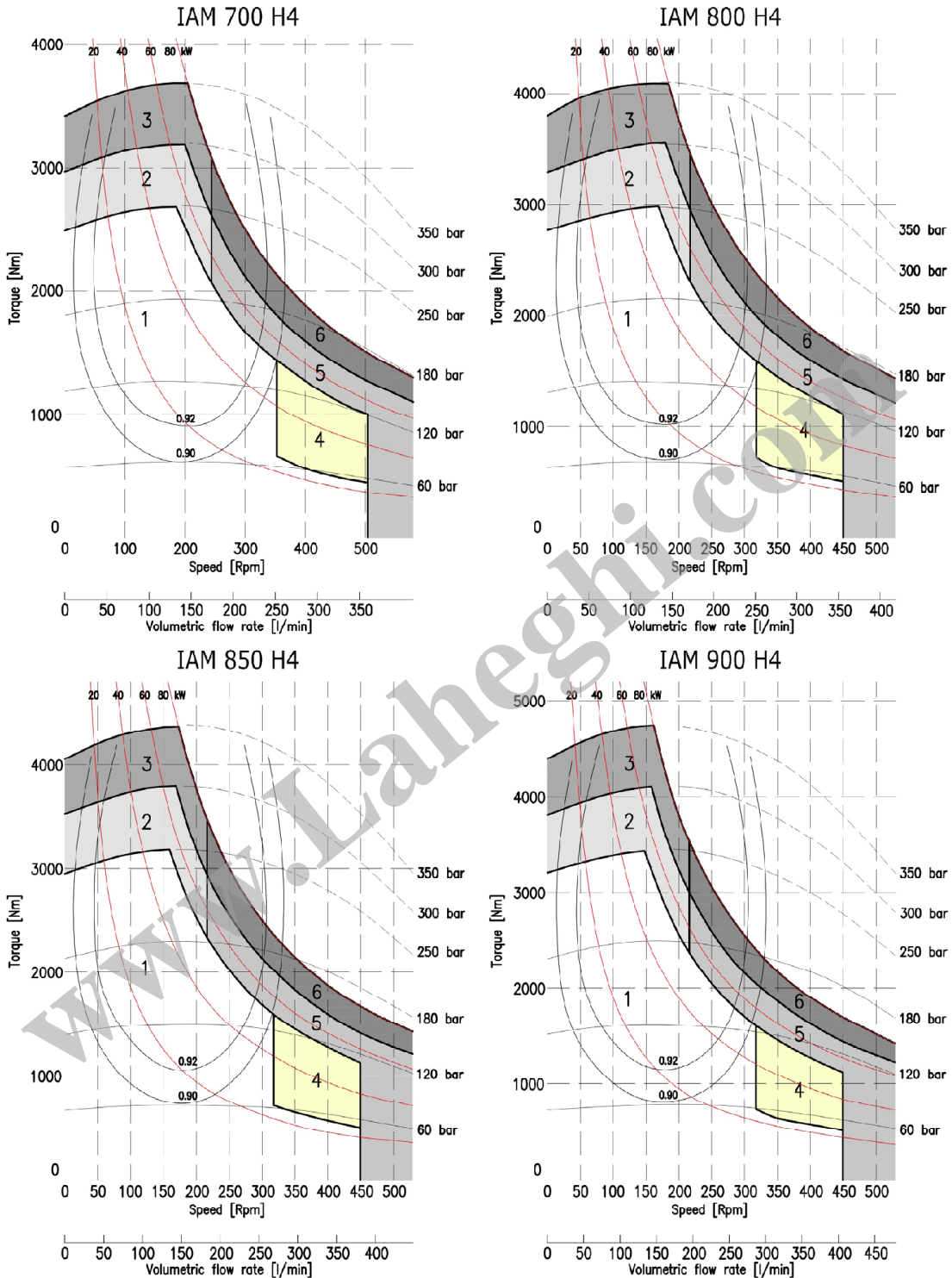
SHAFT OPTIONS

A0: Standard splined shaft

A3: Female shaft on request

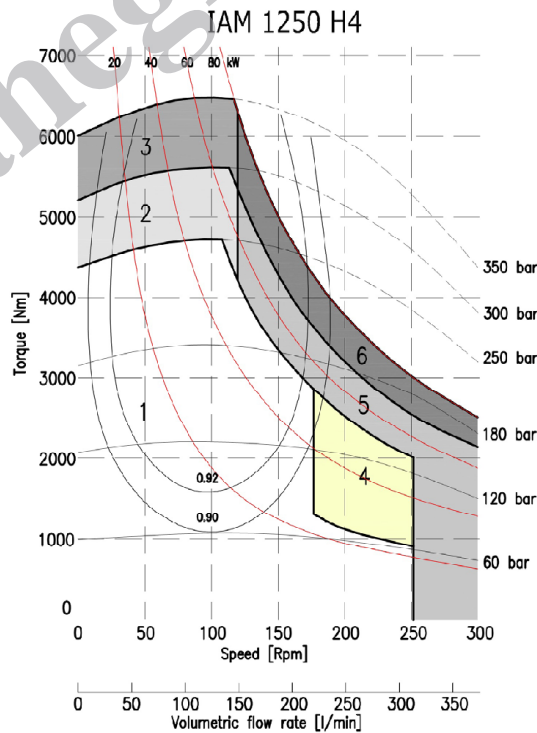
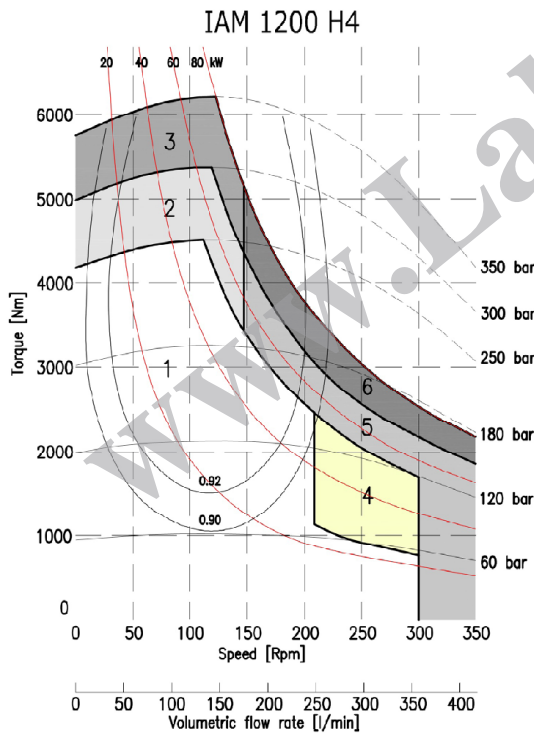
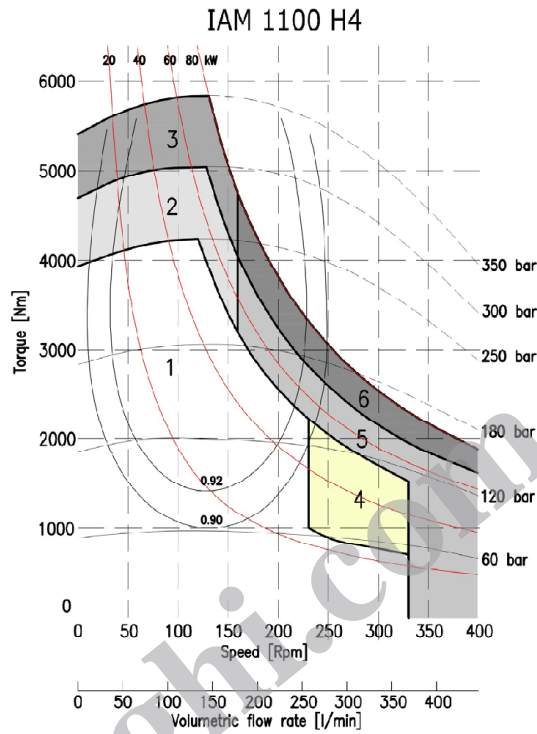
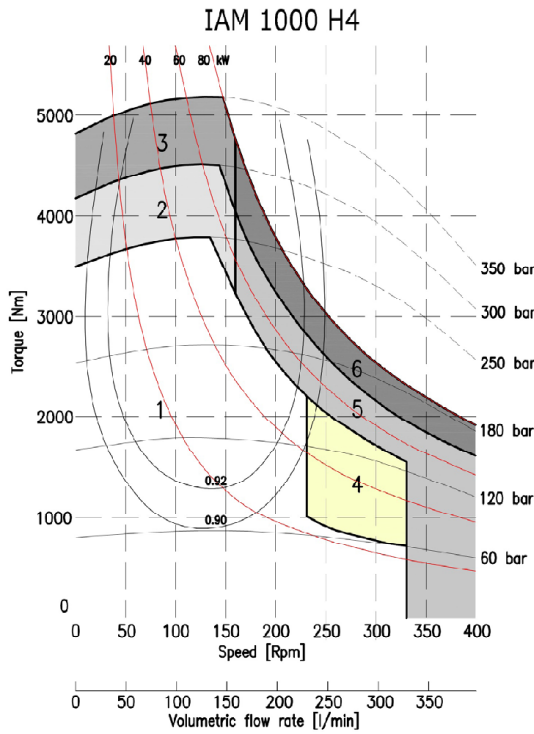


IAM H4 - POWER CHARTS



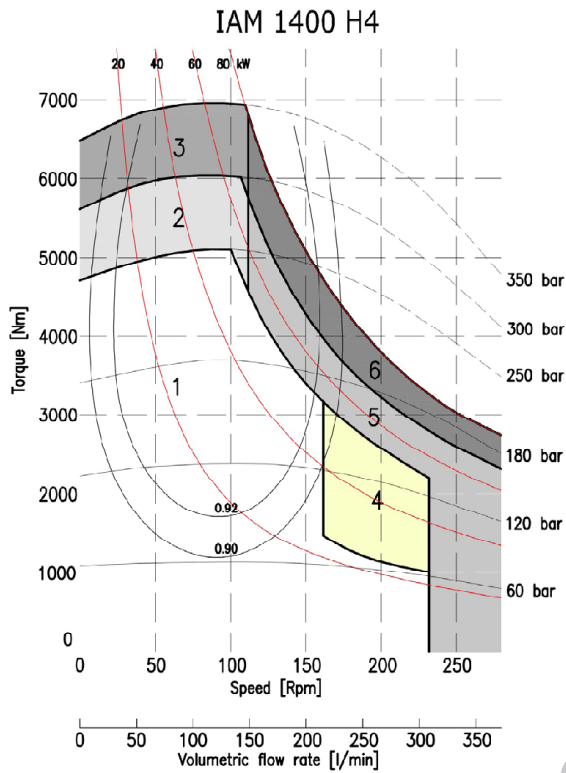
1	Continuous operation
2	Intermittent operation for period 3-5 minutes every 10-15 minutes
3	Intermittent operation for very short period (3-5 seconds every 10-15 minutes)

4	Continuous operation with flushing
5	Intermittent operation for period 3-5 minutes every 10-15 minutes with flushing
6	Intermittent operation for very short period (3-5 seconds every 10-15 minutes) with flushing



1	Continuous operation
2	Intermittent operation for period 3-5 minutes every 10-15 minutes
3	Intermittent operation for very short period (3-5 seconds every 10-15 minutes)

4	Continuous operation with flushing
5	Intermittent operation for period 3-5 minutes every 10-15 minutes with flushing
6	Intermittent operation for very short period (3-5 seconds every 10-15 minutes) with flushing

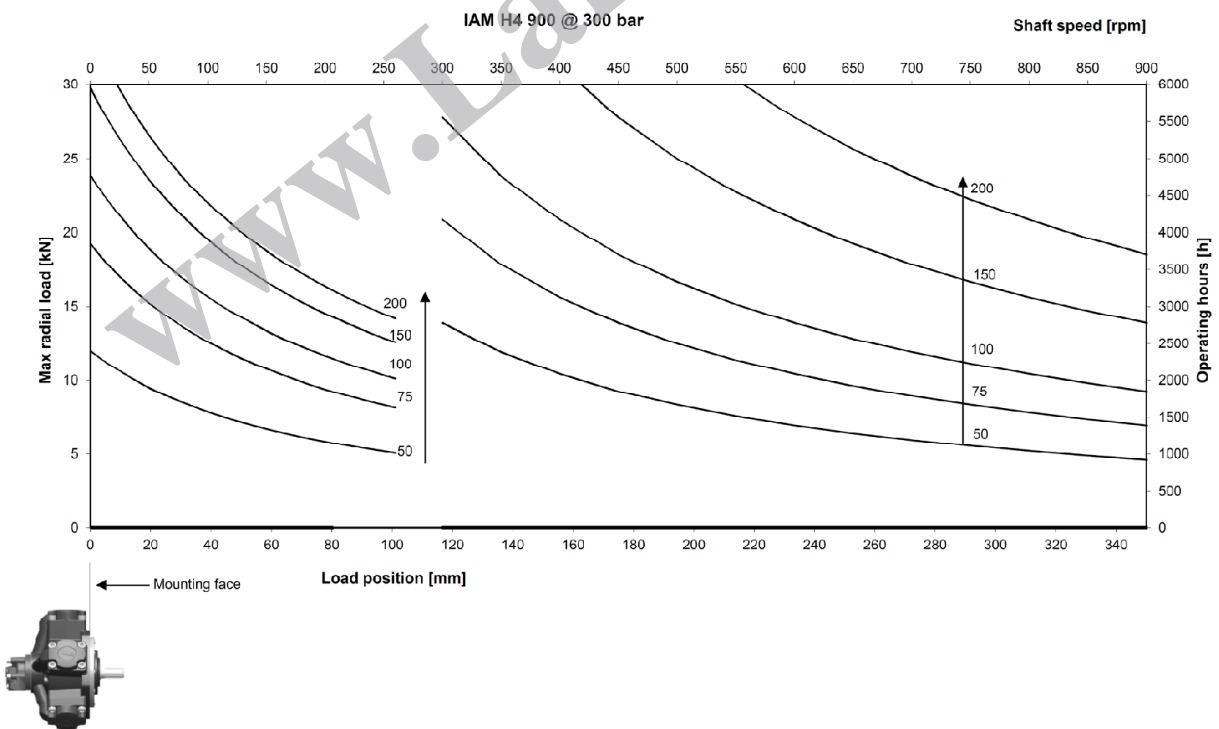
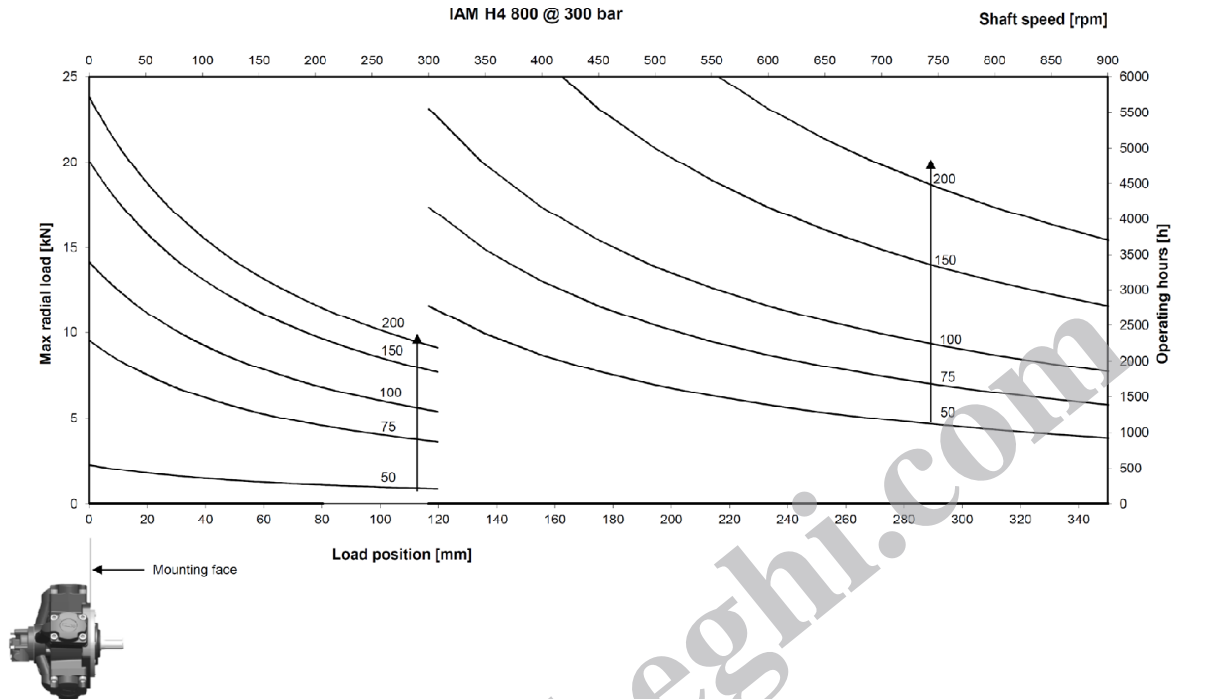


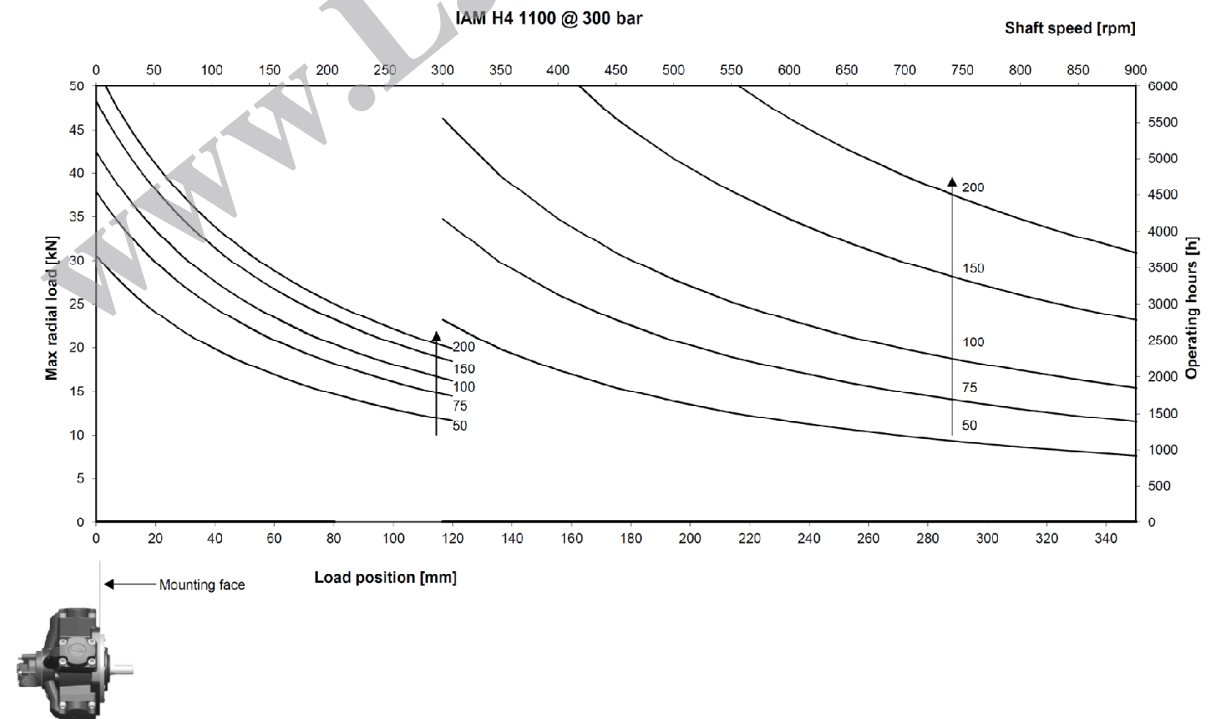
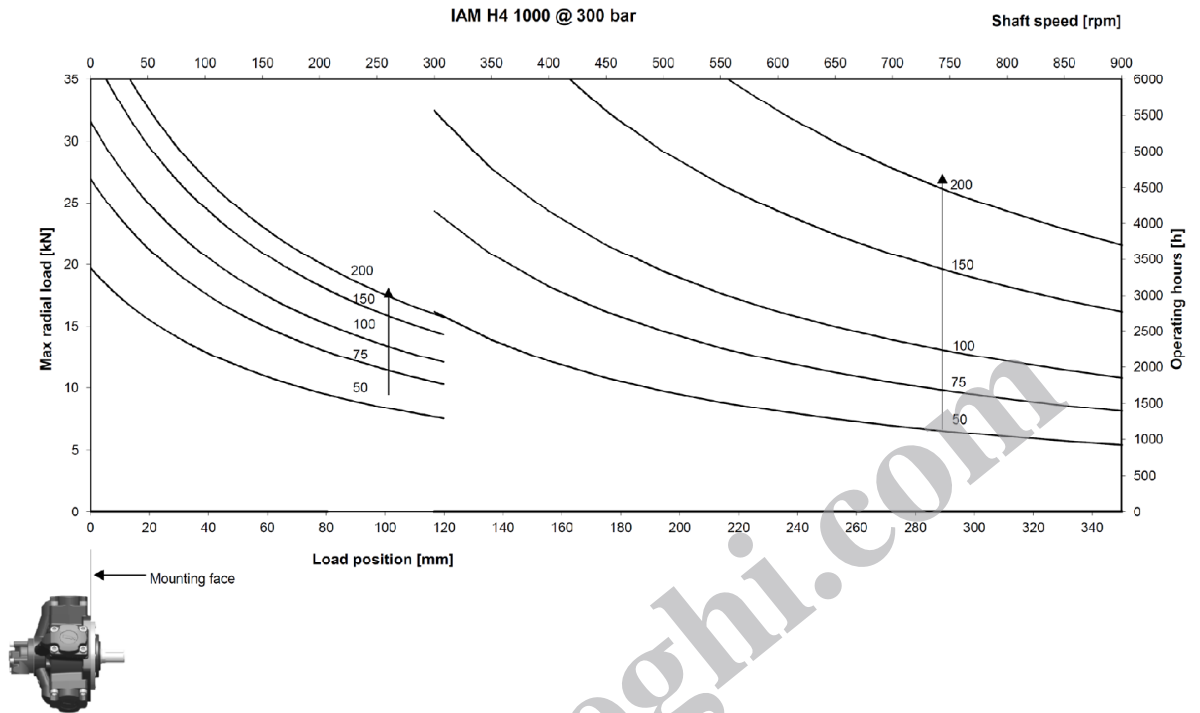
www.Laheghi.com

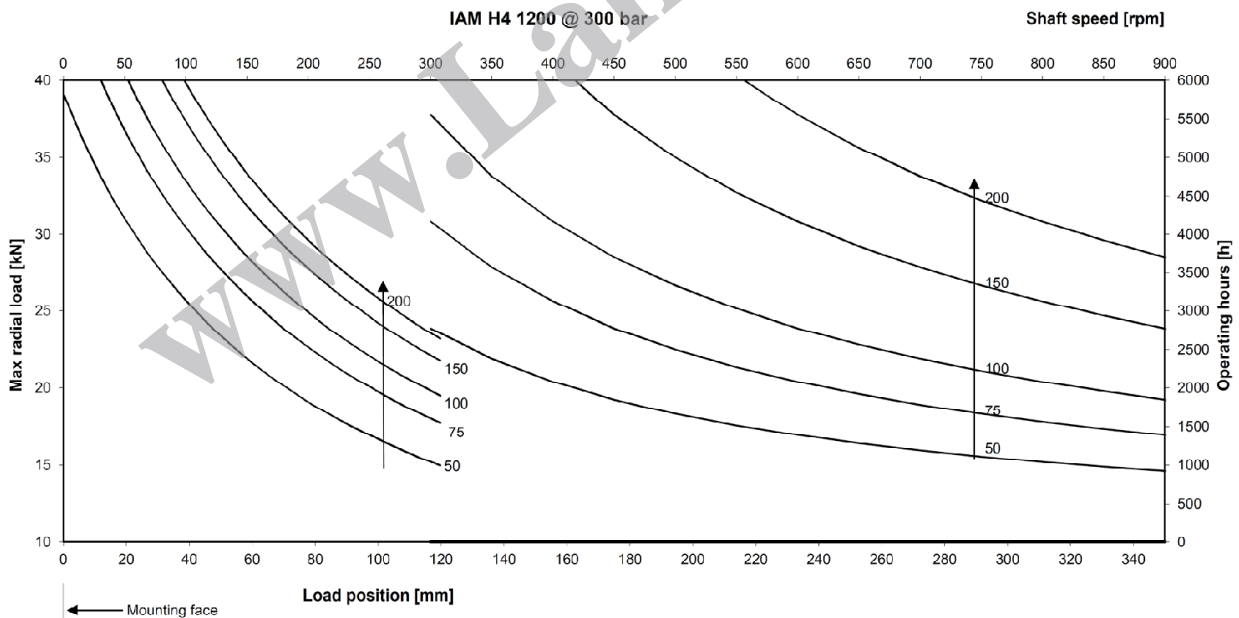
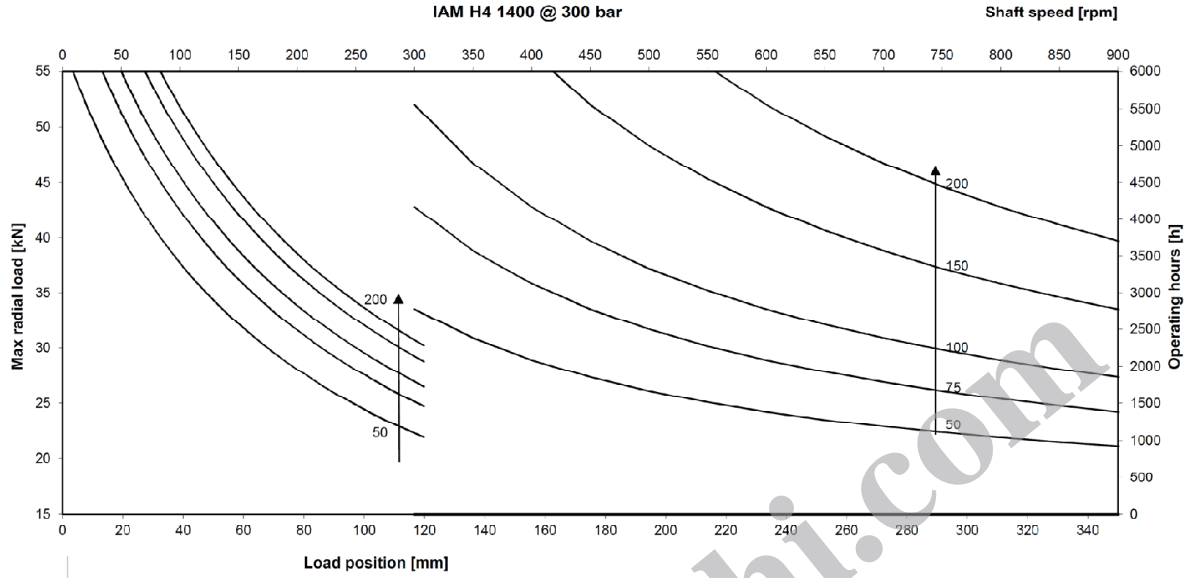
1	Continuous operation
2	Intermittent operation for period 3-5 minutes every 10-15 minutes
3	Intermittent operation for very short period (3-5 seconds every 10-15 minutes)

4	Continuous operation with flushing
5	Intermittent operation for period 3-5 minutes every 10-15 minutes with flushing
6	Intermittent operation for very short period (3-5 seconds every 10-15 minutes) with flushing

IAM H4 - SIDE LOAD CHARTS







IAM H4 - ORDERING INSTRUCTIONS

IAM	---	/---	H4	A_	D---	---	SB--
Model IAM							
Displacement 700 cc/rev 800 cc/rev 850 cc/rev 900 cc/rev 1000 cc/rev 1100 cc/rev 1200 cc/rev 1300 cc/rev 1400 cc/rev							
Interchangeability /C /B45 /GM4 /S							
Housing H4							
Shaft A0 – Standard splined shaft A1 – Special splined shaft A2 – Parallel keyed shaft A3 – Female shaft A4 – Special splined shaft							
Distributor D31 – ¾" BSP D31G – ¾" BSP D310 – 1" BSP D40 – 1" BSP D47 – SAE 1" 3000 psi flange							
Tachometer TA TB EST EST.30 J							
Spline billet SB4 – 46 UNI 220 SB5 – 46 UNI 221 SB16 - 52 UNI 222							

EXAMPLE :

IAM 800 H4 A0 D40

IAM 700/C H4 A0 D40 TA SB16